

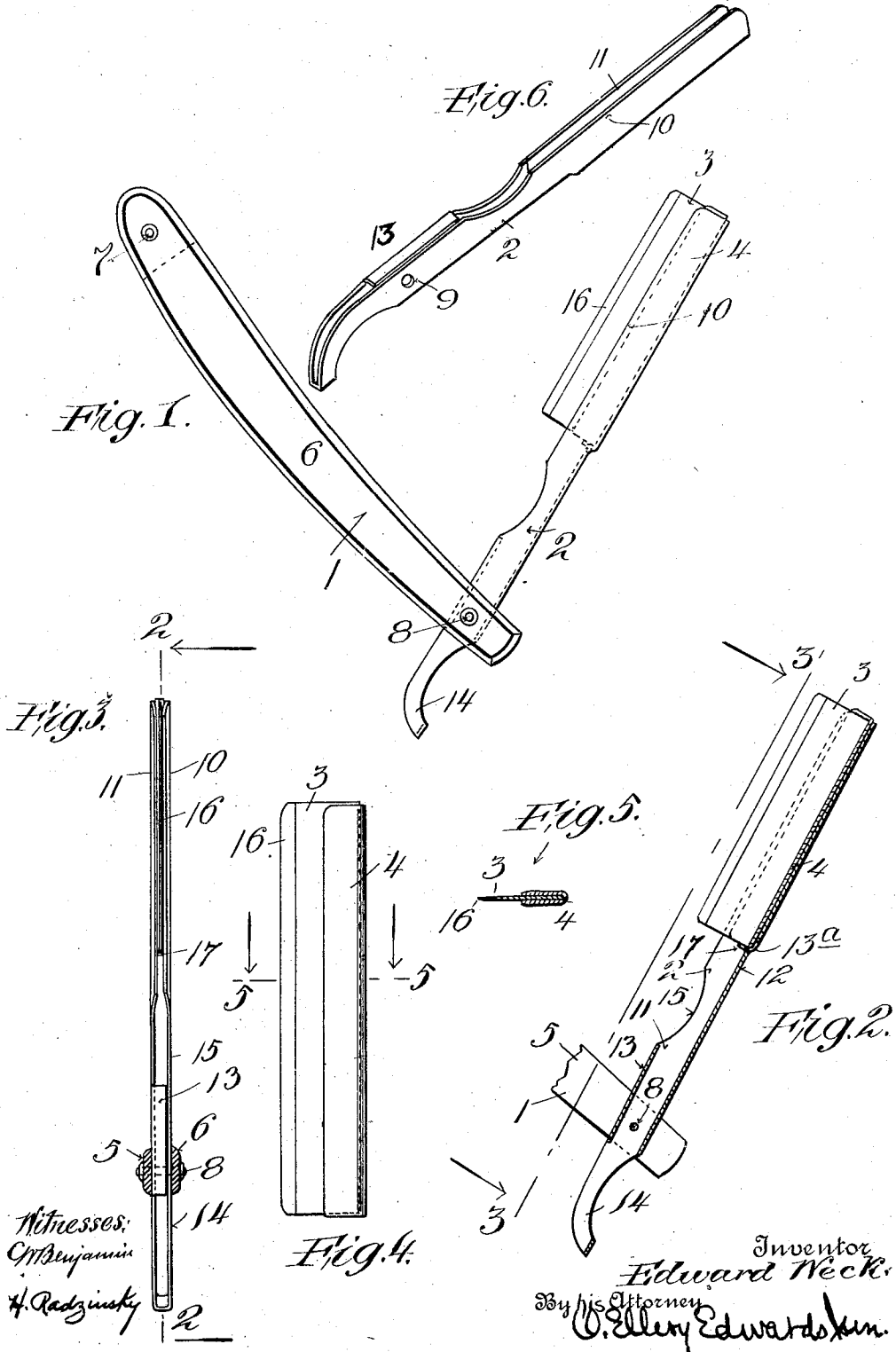
E. WECK.

RAZOR.

APPLICATION FILED AUG. 12, 1908.

929,058.

Patented July 27, 1909.



UNITED STATES PATENT OFFICE.

EDWARD WECK, OF NEW YORK, N. Y.

RAZOR.

No. 929,058.

Specification of Letters Patent.

Patented July 27, 1909.

Application filed August 12, 1908. Serial No. 448,098.

To all whom it may concern:

Be it known that I, EDWARD WECK, a citizen of the United States, and a resident of the city of New York, borough of Brooklyn, county of Kings, and State of New York, have invented a new and useful Improvement in Razors, of which the following is a specification.

The object of this invention is to provide an article of this class with a removable blade so that whenever a blade becomes dull, it may be removed and a new one substituted therefor. This object is accomplished by my invention, one embodiment of which is described below.

For a more particular description of my invention, reference is to be had to the accompanying drawings forming a part hereof, in which,

Figure 1 is a view of my improved razor. Fig. 2 is a sectional view taken on the line 2—2 of Fig. 3. Fig. 3 is a sectional view taken on the line 3—3 of Fig. 2. Fig. 4 is an enlarged view of the blade. Fig. 5 is a sectional view taken on the line 5—5 of Fig. 4. Fig. 6 is a perspective view of the holder.

Throughout the various views of the drawings similar reference characters designate similar parts.

My improved razor consists of a handle 1, a holder 2 and a blade 3 which is held in the holder by the aid of a backing 4 which is secured to the blade 3.

The handle 1 is of conventional form and consists of two plates 5 and 6 respectively united at one end by a pin 7 and at the other end by a pivot 8 which passes through perforations formed in the holder 2 and thereby mounts the said holder in the handle.

The holder 2 is preferably made out of one piece of sheet metal and preferably consists of two parallel sides 10 and 11 united by a back 12 and also by a front 13 which extends parallel with the back 12 adjacent to the pivot 8. One end of the holder 2 forms a handle 14, shaped substantially as shown, by which the razor may be opened or closed. The holder 2 from a point 13^a to the end adjacent to the handle forms a tang. The back 12 is rounded from a point 13^a to its extreme end so as to fit snugly against the backing 4 and is also provided with an in-

wardly extending projection 17 to limit the movement of the blade 3 in the holder 2 toward the handle 1. The holder 2 is also provided with a recess 15 adapted to receive a thumb of the user so that he can firmly grasp the razor while it is in use. The front and back 13 and 12 hold the sides 10 and 11 properly and in their parallel relation.

The blade 3 is formed of sheet steel and is given a cutting edge 16 opposite the backing 4. The backing 4 is preferably bent around the other edge of the blade 3 as shown in Fig. 5. This backing is so shaped and proportioned as to fit in the holder 3 with a firm fit, and yet this blade can be removed from the holder by gentle pressure against the end near the handle and another blade inserted. This change may be made as often as desired or whenever a blade becomes dull.

The sides 10 and 11 of the holder 2 are not straight but slightly curved so that when the blade 3 is inserted the backing 4 has its curved edge against the curved portion of the back 12 and its two edges in contact with the edges of the backing 4 near the cutting edge 16. This produces a snug fit and produces an article which can be kept clean and sanitary at all times.

While I have shown and described one embodiment of my invention, it is obvious that it is not restricted thereto, but is broad enough to cover all structures that come within the scope of the annexed claim.

Having thus described my invention, what I claim is,

In a device of the class described, a handle, a holder pivoted thereto formed of one integral piece of stamped metal, said holder comprising a tang with four opposed sides adjacent to the pivot, a thumb recess, a curved back with parallel sides adapted to retain a blade, and a projection on the inner surface of the back about midway for arresting the sliding movement of the blade, a blade with backing folded over one edge of said blade and adapted to be slidably engaged by the parallel sides of the holder.

EDWARD WECK.

Witnesses:

O. E. EDWARDS, Jr.,
R. A. GREGORY.