

929,059.

Patented July 27, 1909.

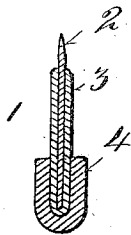
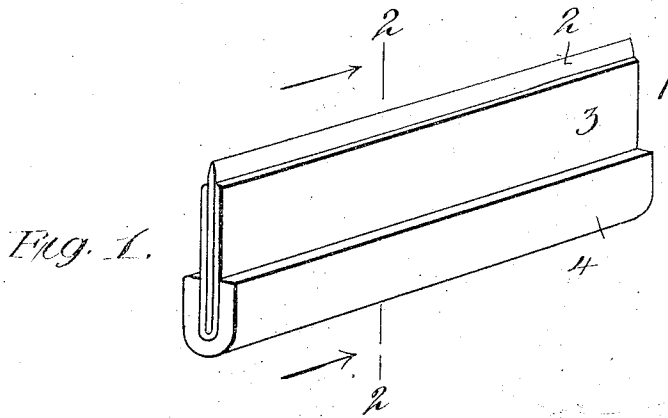


Fig. 2.

Witnesses:
Harry Radjinski

Inventor
Edward Weck
By *O. Allen Edwards*

UNITED STATES PATENT OFFICE.

EDWARD WECK, OF NEW YORK, N. Y.

RAZOR-BLADE.

No. 929,059.

Specification of Letters Patent.

Patented July 27, 1909.

Application filed January 14, 1909. Serial No. 472,171.

To all whom it may concern:

Be it known that I, EDWARD WECK, a citizen of the United States, and a resident of the city of New York, county of Kings, and State of New York, have invented a new and useful Improvement in Razor-Blades, of which the following is a specification.

The object of my invention is to provide a cheap, simple, durable and efficient razor blade which may be inserted in any suitable handle and which may be removed and replaced by another of identical construction whenever, for any cause, the blade becomes unsuited for use. This object is accomplished by my invention, one embodiment of which is hereinafter set forth.

For a more particular description of my invention reference is to be had to the accompanying drawings forming a part hereof in which—

Figure 1 is a perspective view of my improved blade. Fig. 2 is a sectional view taken on the line 2—2 of Fig. 1, looking in the direction of the arrows.

Throughout the various views of the drawings similar reference characters designate similar parts.

My improved blade 1 consists of three parts. A blade strip 2 having a cutting edge ground thereon and made of hard razor steel. On this is folded a mild steel reinforce 3, which is bent as shown in Fig. 2, enveloping most of the blade strip and extending from the bevel of the cutting edge around the back

and on the opposed side nearly to the cutting edge again, but not far enough to interfere therewith when the razor is in use, thus providing a very thin blade with a stiffening almost to its cutting edge. On this reinforce 3 is mounted a second mild steel reinforce 4, which is folded around the back but extends less than half way up the sides. This second reinforce 4 is made heavy and substantial as compared with the first reinforce 3. As a result of this construction the blade 1 possesses several advantageous features, a very thin metal strip 2 with flexible bevel and cutting edge and slightly flexible sides where the first reinforce 3 is exposed, and an exceedingly rigid and thick backing as shown at 4 where the two reinforces 3 and 4 are both wrapped around the strip 2.

Having thus described my invention what I claim is.

In a device of the class described, a razor blade composed of a thin center strip with a cutting edge with a bevel ground thereon, a thin reinforce extending around the back and sides of said center strip leaving exposed the bevel adjacent to the cutting edge and a like space opposed to the bevel, a second heavy reinforce folded around the back and adjacent portions of the sides of the first reinforce, all forming one fixed composite blade.

EDWARD WECK.

In presence of—

HAMILTON R. SQUIER,
O. E. EDWARDS, Jr.