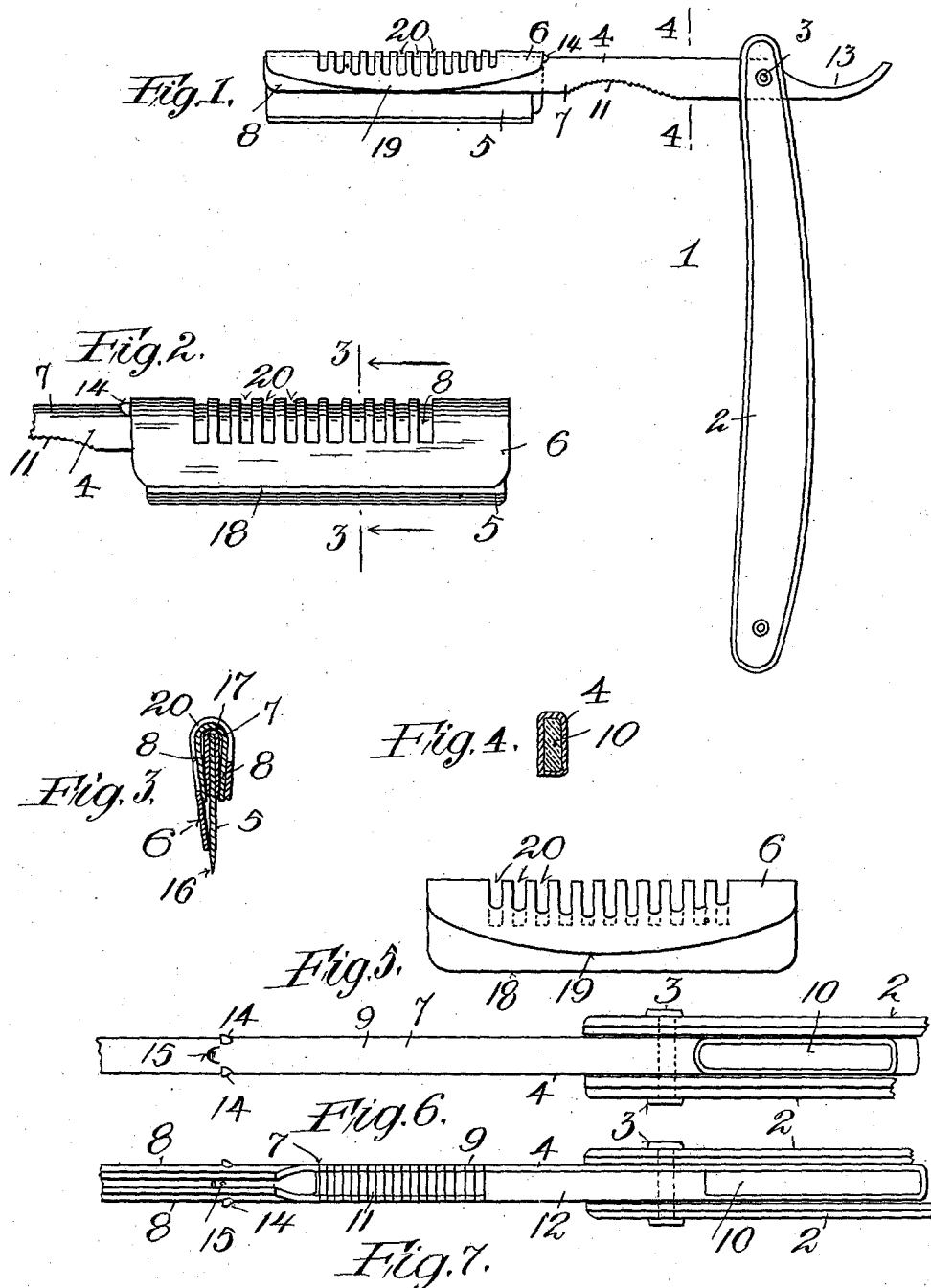


E. WECK.
 STIFFENER FOR RAZORS.
 APPLICATION FILED MAR. 11, 1910.

996,382.

Patented June 27, 1911.



Witnesses.
 J. M. Brodsky
 J. M. Brodsky

Inventor
 Edward Weck
 By his Attorney
 O. Blum

UNITED STATES PATENT OFFICE.

EDWARD WECK, OF NEW YORK, N. Y.

STIFFENER FOR RAZORS.

996,382.

Specification of Letters Patent. Patented June 27, 1911.

Application filed March 11, 1910. Serial No. 548,523.

To all whom it may concern:

Be it known that I, EDWARD WECK, a citizen of the United States, and a resident of the city of New York, county of Kings, and State of New York, whose post-office address is 148 Fulton street, New York city, have invented a new and useful Improvement in Stiffeners for Razors, of which the following is a specification.

The object of my invention is to provide a wafer blade razor with a suitable stiffener which will so stiffen the blade so that it can be used advantageously under severe conditions of service. This object and other objects are accomplished by my invention, one embodiment of which is hereinafter set forth.

For a more particular description of my invention reference is to be had to the accompanying drawing forming a part hereof in which:

Figure 1 is a plan view of a razor provided with my improvement. Fig. 2 is an enlarged view of the blade with the stiffener. Fig. 3 is a sectional view taken on the line 3—3 of Fig. 2, looking in the direction of the arrows. Fig. 4 is a sectional view taken on the line 4—4 of Fig. 1, looking in the direction of the arrows. Fig. 5 is a view of the stiffener, detached from the razor. Figs. 6 and 7 are views of portions of the holder and handle, opposite edges being shown.

Throughout the various views of the drawing, similar reference characters designate similar parts.

My improved razor 1 is provided with a handle 2, of the conventional form, which is provided at one end with a pivot 3, which connects the razor with a holder 4 that carries a blade 5 and a stiffener 6.

The holder 4 is preferably composed of a sheet metal portion 7 which is bent substantially as shown, *i. e.*, with two converging flanges 8 which receive and hold the blade 5, and these flanges adjoin the solid portion 9 which is preferably bent around a filler 10 which extends to the extreme end

of the tang of the holder 4. The filler is roughened at 11 and covered at 12 by a flap bent over from the holder 4. The portion 11 is in a slight recess for the thumb and a corresponding recess is made at 13 near the end of the tang, in the conventional manner. The holder has integral projections 14 to limit the movement of the stiffener 6 on the holder 4 and an internal projection 15 to limit the inward movement of the blade 5.

The blade 5 is preferably composed of a thin sheet of steel of the proper length ground or shaped to a suitable cutting edge 16 on one side and backed with a reinforce 17 on the other which fits snug between the flanges 8 and back of the holder 4.

It is obvious that the razor, above described, could be used without the stiffener, but if so used, the thin blade 5 would spring when in use and would not be sufficiently stiff to shave a thick beard. This difficulty is entirely overcome by the use of the stiffener 6, which is preferably made of sheet metal with one edge 18 adapted to rest close to the cutting edge 16 of the razor, and the other edge 19 is preferably curved, as shown, and terminates short of the edge 18. The back is provided with recesses which form a grating and give the stiffener 6 a neat and finished appearance and prevent it from being too rigid. When the stiffener 6 is applied on the holder 4, the edge 19 rests against an edge of a flange 8 for a portion of its length only. The other edge 18 of the stiffener 6 rests snug against the blade 5 throughout its entire length. This construction forces the stiffener 6 against the blade 5 so as to greatly stiffen the blade without in any way interfering with its use. As only a small portion of the edge 19 is in contact with the holder 4, the blade 5 is stiffened without distortion, and a holder 6 may be readily removed when desired. The razor may be stropped either with or without the stiffener in position.

While I have shown and described one embodiment of my invention, it is obvious

that it is not restricted thereto, but is broad enough to cover all structures that come within the scope of the annexed claim.

What I claim is:

5 In a device of the class described, a holder and a wafer blade held by said holder and a stiffener, said stiffener having a straight edge resting against the wafer blade and near one edge thereof, a curved portion ex-

tending against the holder and a curved edge 10 beyond said curved portion embracing portions of said holder whereby the blade is stiffened and held firm in said holder.

EDWARD WECK.

Witnesses:

GUSTAVE I. ARONOW,
S. M. BRODSKY.

Copies of this patent may be obtained for five cents each, by addressing the "Commissioner of Patents, Washington, D. C."
